

## Features

- 4.5V to 5.5V Read/Write
- Access Time – 90 ns
- Sector Erase Architecture
  - Thirty 32K Word (64K byte) Sectors with Individual Write Lockout
  - Eight 4K Word (8K byte) Sectors with Individual Write Lockout
  - Two 16K Word (32K byte) Sectors with Individual Write Lockout
- Fast Word Program Time – 10  $\mu$ s
- Fast Sector Erase Time – 200 ms
- Dual-plane Organization, Permitting Concurrent Read while Program/Erase
  - Memory Plane A: Eight 4K Word, Two 16K Word and Six 32K Word Sectors
  - Memory Plane B: Twenty-four 32K Word Sectors
- Erase Suspend Capability
  - Supports Reading/Programming Data from Any Sector by Suspending Erase of Any Different Sector
- Low-power Operation
  - 60 mA Active
  - 3 mA Standby
- $\overline{\text{DATA}}$  Polling, Toggle Bit,  $\overline{\text{Ready/Busy}}$  for End of Program Detection
- $\overline{\text{RESET}}$  Input for Device Initialization
- Sector Program Unlock Command
- TSOP, CBGA and  $\mu$ BGA Package Options
- Top or Bottom Boot Block Configuration Available

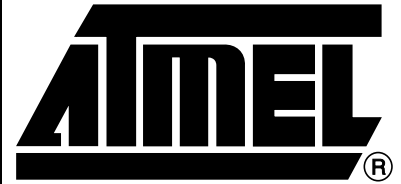
## Description

The AT49F16X4(T) is a 5.0-volt 16-megabit Flash memory organized as 1,048,576 words of 16 bits each or 2,097,152 bytes of 8 bits each. The x16 data appears on I/O0 - I/O15; the x8 data appears on I/O0 - I/O7. The memory is divided into 40 sectors for erase operations. The device is offered in 48-lead TSOP and 48-ball  $\mu$ BGA packages. The device has  $\overline{\text{CE}}$  and  $\overline{\text{OE}}$  control signals to avoid any bus contention. This device can be read or reprogrammed using a single 5.0V power supply, making it ideally suited for in-system programming.

The device powers on in the read mode. Command sequences are used to place the device in other operation modes such as program and erase. The device has the *(continued)*

## Pin Configurations

Pin Name	Function
A0 - A19	Addresses
$\overline{\text{CE}}$	Chip Enable
$\overline{\text{OE}}$	Output Enable
$\overline{\text{WE}}$	Write Enable
$\overline{\text{RESET}}$	Reset
$\overline{\text{RDY/BUSY}}$	READY/ $\overline{\text{BUSY}}$ Output
I/O0 - I/O14	Data Inputs/Outputs
I/O15 (A-1)	I/O15 (Data Input/Output, Word Mode) A-1 (LSB Address Input, Byte Mode)
BYTE	Selects Byte or Word Mode
NC	No Connect
DC	Don't Connect



**16-megabit  
(1M x 16/2M x 8)  
5-volt Only  
Flash Memory**

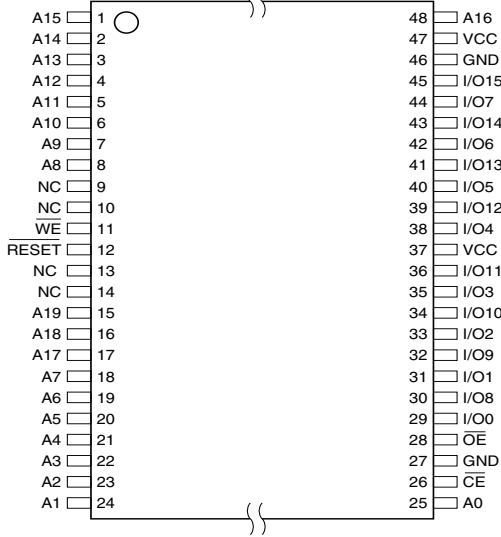
**AT49F1604  
AT49F1604T  
AT49F1614  
AT49F1614T**

**Not Recommended for  
New Designs**

Rev. 0977J-04/00

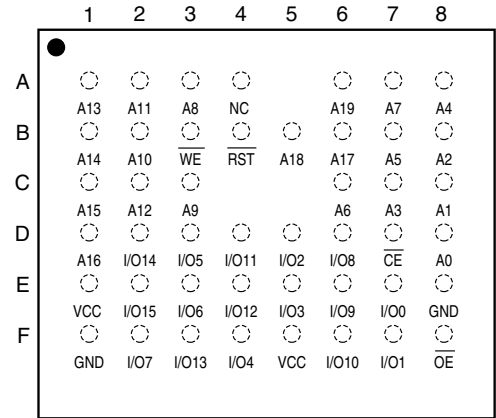


TSOP Top View  
Type 1

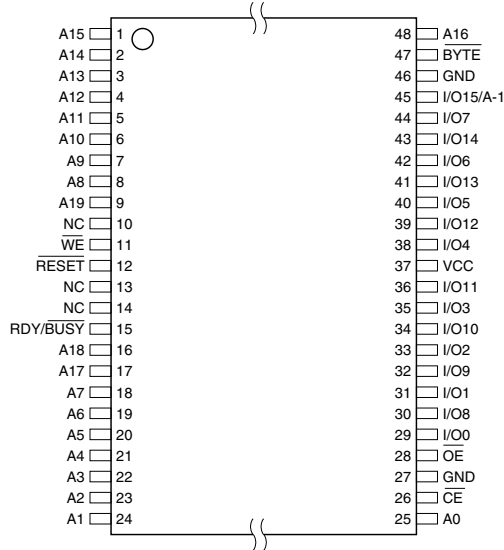


← AT49F1604(T) →

μBGA Top View (Ball Down)

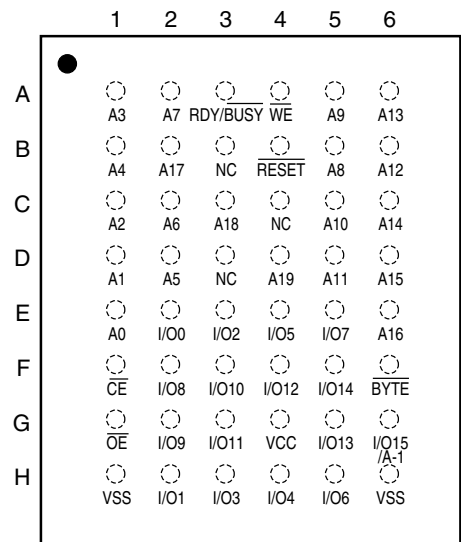


TSOP Top View  
Type 1



← AT49F1614(T) →

CBGA Top View



capability to protect the data in any sector. Once the data protection for a given sector is enabled, the data in that sector cannot be changed using input levels between ground and  $V_{CC}$ .

The device is segmented into two memory planes. Reads from memory plane B may be performed even while program or erase functions are being executed in memory plane A and vice versa. This operation allows improved system performance by not requiring the system to wait for a program or erase operation to complete before a read is performed. To further increase the flexibility of the device, it

contains an Erase Suspend feature. This feature will put the erase on hold for any amount of time and let the user read data from or program data to any of the remaining sectors within the same memory plane. There is no reason to suspend the erase operation if the data to be read is in the other memory plane. The end of a program or an erase cycle is detected by the Ready/Busy pin, Data Polling or by the toggle bit.

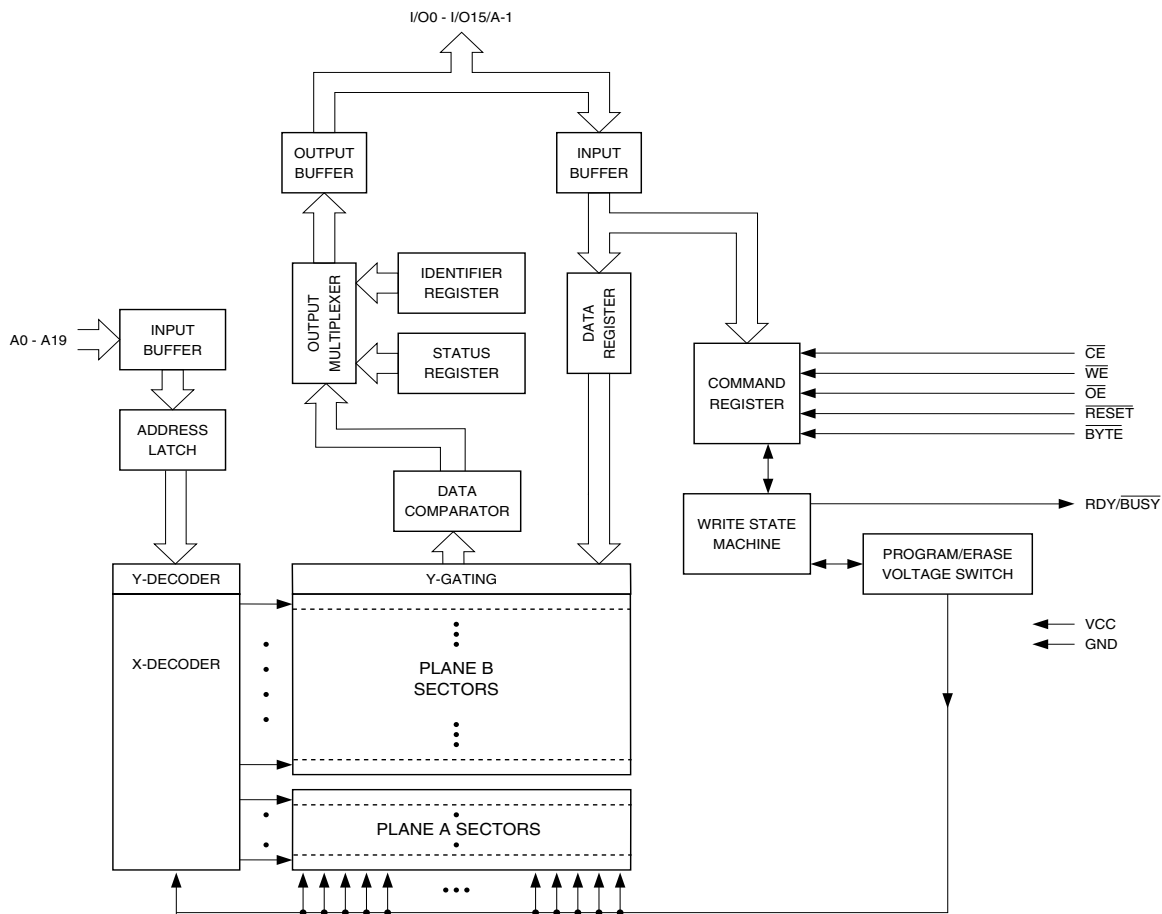
A six-byte command (Bypass Unlock) sequence to remove the requirement of entering the three-byte program sequence is offered to further improve programming time.

After entering the six-byte code, only single pulses on the write control lines are required for writing into the device. This mode (Single Pulse Byte/Word Program) is exited by powering down the device or by pulsing the  $\overline{\text{RESET}}$  pin low for a minimum of 50 ns and then bringing it back to  $V_{CC}$ . Erase and Erase Suspend/Resume commands will not work while in this mode; if entered, they will result in data being programmed into the device. It is not recommended that the six-byte code reside in the software of the final product but only exist in external programming code.

For the AT49BV1614(T), the  $\overline{\text{BYTE}}$  pin controls whether the device data I/O pins operate in the byte or word configuration. If the  $\overline{\text{BYTE}}$  pin is set at logic "1", the device is in word configuration, I/O0 - I/O15 are active and controlled by  $\overline{\text{CE}}$  and  $\overline{\text{OE}}$ .

If the  $\overline{\text{BYTE}}$  pin is set at logic "0", the device is in byte configuration, and only data I/O pins I/O0 - I/O7 are active and controlled by  $\overline{\text{CE}}$  and  $\overline{\text{OE}}$ . The data I/O pins I/O8 - I/O14 are tri-stated, and the I/O15 pin is used as an input for the LSB (A-1) address function.

## Block Diagram



## Device Operation

**READ:** The AT49F16X4(T) is accessed like an EPROM. When  $\overline{\text{CE}}$  and  $\overline{\text{OE}}$  are low and  $\overline{\text{WE}}$  is high, the data stored at the memory location determined by the address pins are asserted on the outputs. The outputs are put in the high-impedance state whenever  $\overline{\text{CE}}$  or  $\overline{\text{OE}}$  is high. This dual-line control gives designers flexibility in preventing bus contention.

**COMMAND SEQUENCES:** When the device is first powered on it will be reset to the read or standby mode, depending upon the state of the control line inputs. In order to perform other device functions, a series of command sequences are entered into the device. The command sequences are shown in the Command Definitions table on page 6 (I/O8 - I/O15 are don't care inputs for the command codes). The command sequences are written by applying a

low pulse on the  $\overline{WE}$  or  $\overline{CE}$  input with  $\overline{CE}$  or  $\overline{WE}$  low (respectively) and  $\overline{OE}$  high. The address is latched on the falling edge of  $\overline{CE}$  or  $\overline{WE}$ , whichever occurs last. The data is latched by the first rising edge of  $\overline{CE}$  or  $\overline{WE}$ . Standard microprocessor write timings are used. The address locations used in the command sequences are not affected by entering the command sequences.

**RESET:** A  $\overline{RESET}$  input pin is provided to ease some system applications. When  $\overline{RESET}$  is at a logic high level, the device is in its standard operating mode. A low level on the  $\overline{RESET}$  input halts the present device operation and puts the outputs of the device in a high-impedance state. When a high level is reasserted on the  $\overline{RESET}$  pin, the device returns to the read or standby mode, depending upon the state of the control inputs. By applying a  $12V \pm 0.5V$  input signal to the  $\overline{RESET}$  pin, any sector can be reprogrammed even if the sector lockout feature has been enabled (see Sector Programming Lockout Override section).

**ERASURE:** Before a byte/word can be reprogrammed, it must be erased. The erased state of memory bits is a logical “1”. Individual sectors can be erased by using the Sector Erase command.

**SECTOR ERASE:** The device is organized into 40 sectors (SA0 - SA39) that can be individually erased. The Sector Erase command is a six-bus cycle operation. The sector address is latched on the falling  $\overline{WE}$  edge of the sixth cycle while the 30H data input command is latched on the rising edge of  $\overline{WE}$ . The sector erase starts after the rising edge of  $\overline{WE}$  of the sixth cycle. The erase operation is internally controlled; it will automatically time to completion. The maximum time to erase a section is  $t_{SEC}$ . When the sector programming lockout feature is not enabled, the sector will erase (from the same Sector Erase command). Once a sector has been protected, data in the protected sectors cannot be changed unless the  $\overline{RESET}$  pin is taken to  $12V \pm 0.5V$ . An attempt to erase a sector that has been protected will result in the operation terminating in  $2 \mu s$ .

**BYTE/WORD PROGRAMMING:** Once a memory block is erased, it is programmed (to a logical “0”) on a byte-by-byte or on a word-by-word basis. Programming is accomplished via the internal device command register and is a four-bus cycle operation. The device will automatically generate the required internal program pulses.

Any commands written to the chip during the embedded programming cycle will be ignored. If a hardware reset happens during programming, the data at the location being programmed will be corrupted. Please note that a data “0” cannot be programmed back to a “1”; only erase operations can convert “0”s to “1”s. Programming is completed after the specified  $t_{BP}$  cycle time. The  $\overline{Data}$  Polling feature or the Toggle Bit feature may be used to indicate the end of a program cycle.

**SECTOR PROGRAMMING LOCKOUT:** Each sector has a programming lockout feature. This feature prevents programming of data in the designated sectors once the feature has been enabled. These sectors can contain secure code that is used to bring up the system. Enabling the lockout feature will allow the boot code to stay in the device while data in the rest of the device is updated. This feature does not have to be activated; any sector’s usage as a write-protected region is optional to the user.

Once the feature is enabled, the data in the protected sectors can no longer be erased or programmed when input levels of 5.5V or less are used. Data in the remaining sectors can still be changed through the regular programming method. To activate the lockout feature, a series of six program commands to specific addresses with specific data must be performed. Please refer to the Command Definitions table.

**SECTOR LOCKOUT DETECTION:** A software method is available to determine if programming of a sector is locked out. When the device is in the software product identification mode (see Software Product Identification Entry and Exit sections) a read from address location 00002H within a sector will show if programming the sector is locked out. If the data on I/O0 is low, the sector can be programmed; if the data on I/O0 is high, the program lockout feature has been enabled and the sector cannot be programmed. The software product identification exit code should be used to return to standard operation.

**SECTOR PROGRAMMING LOCKOUT OVERRIDE:** The user can override the sector programming lockout by taking the  $\overline{RESET}$  pin to  $12V \pm 0.5V$ . By doing this, protected data can be altered through a sector erase or byte/word programming. When the  $\overline{RESET}$  pin is brought back to TTL levels, the sector programming lockout feature is again active.

**ERASE SUSPEND/ERASE RESUME:** The Erase Suspend command allows the system to interrupt a sector erase operation and then program or read data from a different sector within the same plane. Since this device has a dual-plane architecture, there is no need to use the Erase Suspend feature while erasing a sector when you want to read data from a sector in the other plane. After the Erase Suspend command is given, the device requires a maximum time of  $15 \mu s$  to suspend the erase operation. After the erase operation has been suspended, the plane that contains the suspended sector enters the erase-suspend-read mode. The system can then read data or program data to any other sector within the device. An address is not required during the Erase Suspend command. During a sector erase suspend, another sector cannot be erased. To resume the sector erase operation, the system must write the Erase Resume command. The Erase Resume

command is a one-bus cycle command, which does require the plane address (determined by A18 and A19).

**PRODUCT IDENTIFICATION:** The product identification mode identifies the device and manufacturer as Atmel. It may be accessed by hardware or software operation. The hardware operation mode can be used by an external programmer to identify the correct programming algorithm for the Atmel product.

For details, see “Operating Modes” on page 9 (for hardware operation) or “Software Product Identification Entry/Exit” on page 14. The manufacturer and device codes are the same for both modes.

**DATA POLLING:** The AT49F16X4(T) features  $\overline{\text{Data}}$  Polling to indicate the end of a program cycle. During a program cycle an attempted read of the last byte/word loaded will result in the complement of the loaded data on I/O7. Once the program cycle has been completed, true data is valid on all outputs and the next cycle may begin. During a sector erase operation, an attempt to read the device will give a “0” on I/O7. Once the program or erase cycle has completed, true data will be read from the device.  $\overline{\text{Data}}$  Polling may begin at any time during the program cycle. Please see “Status Bit Table” on page 15 for more details.

**TOGGLE BIT:** In addition to  $\overline{\text{Data}}$  Polling, the AT49F16X4(T) provides another method for determining the end of a program or erase cycle. During a program or erase operation, successive attempts to read data from the same memory plane will result in I/O6 toggling between one and zero. Once the program cycle has completed, I/O6 will stop toggling and valid data will be read. Examining the toggle bit may begin at any time during a program cycle.

An additional toggle bit is available on I/O2, which can be used in conjunction with the toggle bit that is available on I/O6. While a sector is erase suspended, a read or a program operation from the suspended sector will result in the I/O2 bit toggling. Please see “Status Bit Table” on page 15 for more details.

**RDY/ $\overline{\text{BUSY}}$ :** An open-drain Ready/ $\overline{\text{Busy}}$  output pin provides another method of detecting the end of a program or erase operation. RDY/ $\overline{\text{BUSY}}$  is actively pulled low during the internal program and erase cycles and is released at the completion of the cycle. The open-drain connection allows for OR-tying of several devices to the same RDY/ $\overline{\text{BUSY}}$  line.

**HARDWARE DATA PROTECTION:** The Hardware Data Protection feature protects against inadvertent programs to the AT49F16X4(T) in the following ways: (a)  $V_{CC}$  sense: if  $V_{CC}$  is below 3.8V (typical), the program function is inhibited. (b)  $V_{CC}$  power-on delay: once  $V_{CC}$  has reached the  $V_{CC}$  sense level, the device will automatically time out 10 ms (typical) before programming. (c) Program inhibit: holding any one of  $\overline{\text{OE}}$  low,  $\overline{\text{CE}}$  high or  $\overline{\text{WE}}$  high inhibits program cycles. (d) Noise filter: pulses of less than 15 ns (typical) on the  $\overline{\text{WE}}$  or  $\overline{\text{CE}}$  inputs will not initiate a program cycle.

**INPUT LEVELS:** While operating with a 4.5V to 5.5V power supply, the address inputs and control inputs ( $\overline{\text{OE}}$ ,  $\overline{\text{CE}}$  and  $\overline{\text{WE}}$ ) may be driven from 0 to 5.5V without adversely affecting the operation of the device. The I/O lines can only be driven from 0 to  $V_{CC} + 0.6V$ .



## Command Definition in Hex<sup>(1)</sup>

Command Sequence	Bus Cycles	1st Bus Cycle		2nd Bus Cycle		3rd Bus Cycle		4th Bus Cycle		5th Bus Cycle		6th Bus Cycle	
		Addr	Data	Addr	Data	Addr	Data	Addr	Data	Addr	Data	Addr	Data
Read	1	Addr	D <sub>OUT</sub>										
Sector Erase	6	5555	AA	2AAA	55	5555	80	5555	AA	2AAA	55	SA <sup>(3)(4)</sup>	30
Byte/Word Program	4	5555	AA	2AAA	55	5555	A0	Addr	D <sub>IN</sub>				
Bypass Unlock	6	5555	AA	2AAA	55	5555	80	5555	AA	2AAA	55	5555	A0
Single Pulse Byte/Word Program	1	Addr	D <sub>IN</sub>										
Sector Lockout	6	5555	AA	2AAA	55	5555	80	5555	AA	2AAA	55	SA <sup>(3)(4)</sup>	40
Erase Suspend	1	xxxx	B0										
Erase Resume	1	PA <sup>(5)</sup>	30										
Product ID Entry	3	5555	AA	2AAA	55	5555	90						
Product ID Exit <sup>(2)</sup>	3	5555	AA	2AAA	55	5555	F0						
Product ID Exit <sup>(2)</sup>	1	xxxx	F0										

- Notes:
- The DATA FORMAT in each bus cycle is as follows: I/O15 - I/O8 (Don't Care); I/O7 - I/O0 (Hex). The ADDRESS FORMAT in each bus cycle is as follows: A15 - A0 (Hex). Address A19 through A14 are don't care in the word mode. Address A19 through A14 and A-1 are don't care in the byte mode.
  - Either one of the Product ID Exit commands can be used.
  - SA = sector address. Any byte/word address within a sector can be used to designate the sector address (see next two pages for details).
  - When the sector programming lockout feature is not enabled, the sector will erase (from the same Sector Erase command). Once the sector has been protected, data in the protected sectors cannot be changed unless the RESET pin is taken to 12V ± 0.5V.
  - PA is the plane address (A19 - A18).

## Absolute Maximum Ratings\*

Temperature under Bias .....	-55°C to +125°C
Storage Temperature .....	-65°C to +150°C
All Input Voltages (including NC Pins) with Respect to Ground .....	-0.6V to +6.25V
All Output Voltages with Respect to Ground .....	-0.6V to V <sub>CC</sub> + 0.6V
Voltage on $\overline{OE}$ with Respect to Ground .....	-0.6V to +13.5V

\*NOTICE: Stresses beyond those listed under "Absolute Maximum Ratings" may cause permanent damage to the device. This is a stress rating only and functional operation of the device at these or any other conditions beyond those indicated in the operational sections of this specification is not implied. Exposure to absolute maximum rating conditions for extended periods may affect device reliability.

## AT49F1604/1614 – Sector Address Table

Plane	Sector	Size (Bytes/Words)	x8 Address Range (A19 - A-1)	x16 Address Range (A19 - A0)
A	SA0	8K/4K	000000 - 001FFF	00000 - 00FFF
A	SA1	8K/4K	002000 - 003FFF	01000 - 01FFF
A	SA2	8K/4K	004000 - 005FFF	02000 - 02FFF
A	SA3	8K/4K	006000 - 007FFF	03000 - 03FFF
A	SA4	8K/4K	008000 - 009FFF	04000 - 04FFF
A	SA5	8K/4K	00A000 - 00BFFF	05000 - 05FFF
A	SA6	8K/4K	00C000 - 00DFFF	06000 - 06FFF
A	SA7	8K/4K	00E000 - 00FFFF	07000 - 07FFF
A	SA8	32K/16K	010000 - 017FFF	08000 - 0BFFF
A	SA9	32K/16K	018000 - 01FFFF	0C000 - 0FFFF
A	SA10	64K/32K	020000 - 02FFFF	10000 - 17FFF
A	SA11	64K/32K	030000 - 03FFFF	18000 - 1FFFF
A	SA12	64K/32K	040000 - 04FFFF	20000 - 27FFF
A	SA13	64K/32K	050000 - 05FFFF	28000 - 2FFFF
A	SA14	64K/32K	060000 - 06FFFF	30000 - 37FFF
A	SA15	64K/32K	070000 - 07FFFF	38000 - 3FFFF
B	SA16	64K/32K	080000 - 08FFFF	40000 - 47FFF
B	SA17	64K/32K	090000 - 09FFFF	48000 - 4FFFF
B	SA18	64K/32K	0A0000 - 0AFFFF	50000 - 57FFF
B	SA19	64K/32K	0B0000 - 0BFFFF	58000 - 5FFFF
B	SA20	64K/32K	0C0000 - 0CFFFF	60000 - 67FFF
B	SA21	64K/32K	0D0000 - 0DFFFF	68000 - 6FFFF
B	SA22	64K/32K	0E0000 - 0EFFFF	70000 - 77FFF
B	SA23	64K/32K	0F0000 - 0FFFFF	78000 - 7FFFF
B	SA24	64K/32K	100000 - 10FFFF	80000 - 87FFF
B	SA25	64K/32K	110000 - 11FFFF	88000 - 8FFFF
B	SA26	64K/32K	120000 - 12FFFF	90000 - 97FFF
B	SA27	64K/32K	130000 - 13FFFF	98000 - 9FFFF
B	SA28	64K/32K	140000 - 14FFFF	A0000 - A7FFF
B	SA29	64K/32K	150000 - 15FFFF	A8000 - AFFFF
B	SA30	64K/32K	160000 - 16FFFF	B0000 - B7FFF
B	SA31	64K/32K	170000 - 17FFFF	B8000 - BFFFF
B	SA32	64K/32K	180000 - 18FFFF	C0000 - C7FFF
B	SA33	64K/32K	190000 - 19FFFF	C8000 - CFFFF
B	SA34	64K/32K	1A0000 - 1AFFFF	D0000 - D7FFF
B	SA35	64K/32K	1B0000 - 1BFFFF	D8000 - DFFFF
B	SA36	64K/32K	1C0000 - 1CFFFF	E0000 - E7FFF
B	SA37	64K/32K	1D0000 - 1DFFFF	E8000 - EFFFF
B	SA38	64K/32K	1E0000 - 1EFFFF	F0000 - F7FFF
B	SA39	64K/32K	1F0000 - 1FFFFF	F8000 - FFFFF



## AT49F1604T/1614T – Sector Address Table

Plane	Sector	Size (Bytes/Words)	x8	x16
			Address Range (A19 - A-1)	Address Range (A19 - A0)
B	SA0	64K/32K	000000 - 00FFFF	00000 - 07FFF
B	SA1	64K/32K	010000 - 01FFFF	08000 - 0FFFF
B	SA2	64K/32K	020000 - 02FFFF	10000 - 17FFF
B	SA3	64K/32K	030000 - 03FFFF	18000 - 1FFFF
B	SA4	64K/32K	040000 - 04FFFF	20000 - 27FFF
B	SA5	64K/32K	050000 - 05FFFF	28000 - 2FFFF
B	SA6	64K/32K	060000 - 06FFFF	30000 - 37FFF
B	SA7	64K/32K	070000 - 07FFFF	38000 - 3FFFF
B	SA8	64K/32K	080000 - 08FFFF	40000 - 47FFF
B	SA9	64K/32K	090000 - 09FFFF	48000 - 4FFFF
B	SA10	64K/32K	0A0000 - 0AFFFF	50000 - 57FFF
B	SA11	64K/32K	0B0000 - 0BFFFF	58000 - 5FFFF
B	SA12	64K/32K	0C0000 - 0CFFFF	60000 - 67FFF
B	SA13	64K/32K	0D0000 - 0DFFFF	68000 - 6FFFF
B	SA14	64K/32K	0E0000 - 0EFFFF	70000 - 77FFF
B	SA15	64K/32K	0F0000 - 0FFFFF	78000 - 7FFFF
B	SA16	64K/32K	100000 - 10FFFF	80000 - 87FFF
B	SA17	64K/32K	110000 - 11FFFF	88000 - 8FFFF
B	SA18	64K/32K	120000 - 12FFFF	90000 - 97FFF
B	SA19	64K/32K	130000 - 13FFFF	98000 - 9FFFF
B	SA20	64K/32K	140000 - 14FFFF	A0000 - A7FFF
B	SA21	64K/32K	150000 - 15FFFF	A8000 - AFFFF
B	SA22	64K/32K	160000 - 16FFFF	B0000 - B7FFF
B	SA23	64K/32K	170000 - 17FFFF	B8000 - BFFFF
A	SA24	64K/32K	180000 - 18FFFF	C0000 - C7FFF
A	SA25	64K/32K	190000 - 19FFFF	C8000 - CFFFF
A	SA26	64K/32K	1A0000 - 1AFFFF	D0000 - D7FFF
A	SA27	64K/32K	1B0000 - 1BFFFF	D8000 - DFFFF
A	SA28	64K/32K	1C0000 - 1CFFFF	E0000 - E7FFF
A	SA29	64K/32K	1D0000 - 1DFFFF	E8000 - EFFFF
A	SA30	32K/16K	1E0000 - 1E7FFF	F0000 - F3FFF
A	SA31	32K/16K	1E8000 - 1EFFFF	F4000 - F7FFF
A	SA32	8K/4K	1F0000 - 1F1FFF	F8000 - F8FFF
A	SA33	8K/4K	1F2000 - 1F3FFF	F9000 - F9FFF
A	SA34	8K/4K	1F4000 - 1F5FFF	FA000 - FAFFF
A	SA35	8K/4K	1F6000 - 1F7FFF	FB000 - FBFFF
A	SA36	8K/4K	1F8000 - 1F9FFF	FC000 - FCFFF
A	SA37	8K/4K	1FA000 - 1FBFFF	FD000 - FDFFF
A	SA38	8K/4K	1FC000 - 1FDFFF	FE000 - FEFFF
A	SA39	8K/4K	1FE000 - 1FFFFF	FF000 - FFFFF



## DC and AC Operating Range

		AT49F16X4(T)-90
Operating Temperature (Case)	Com.	0°C - 70°C
	Ind.	-40°C - 85°C
V <sub>CC</sub> Power Supply		4.5V to 5.5V

## Operating Modes

Mode	$\overline{CE}$	$\overline{OE}$	$\overline{WE}$	$\overline{RESET}$	Ai	I/O
Read	V <sub>IL</sub>	V <sub>IL</sub>	V <sub>IH</sub>	V <sub>IH</sub>	Ai	D <sub>OUT</sub>
Program/Erase <sup>(2)</sup>	V <sub>IL</sub>	V <sub>IH</sub>	V <sub>IL</sub>	V <sub>IH</sub>	Ai	D <sub>IN</sub>
Standby/Program Inhibit	V <sub>IH</sub>	X <sup>(1)</sup>	X	V <sub>IH</sub>	X	High-Z
Program Inhibit	X	X	V <sub>IH</sub>	V <sub>IH</sub>		
Program Inhibit	X	V <sub>IL</sub>	X	V <sub>IH</sub>		
Output Disable	X	V <sub>IH</sub>	X	V <sub>IH</sub>		High-Z
Reset	X	X	X	V <sub>IL</sub>	X	High-Z
Product Identification						
Hardware	V <sub>IL</sub>	V <sub>IL</sub>	V <sub>IH</sub>	V <sub>IH</sub>	A1 - A19 = V <sub>IL</sub> , A9 = V <sub>H</sub> <sup>(3)</sup> A0 = V <sub>IL</sub>	Manufacturer Code <sup>(4)</sup>
					A1 - A19 = V <sub>IL</sub> , A9 = V <sub>H</sub> <sup>(3)</sup> A0 = V <sub>IH</sub>	Device Code <sup>(4)</sup>
Software <sup>(5)</sup>				V <sub>IH</sub>	A0 = V <sub>IL</sub> , A1 - A19 = V <sub>IL</sub>	Manufacturer Code <sup>(4)</sup>
					A0 = V <sub>IH</sub> , A1 - A19 = V <sub>IL</sub>	Device Code <sup>(4)</sup>

- Notes:
- X can be V<sub>IL</sub> or V<sub>IH</sub>.
  - Refer to AC programming waveforms.
  - V<sub>H</sub> = 12.0V ± 0.5V.
  - Manufacturer Code: 1FH (x8); 001FH (x16), Device Code: C0H (x8)-AT49F16X4; 00C0H (x16)-AT49F16X4; C2H (x8)-AT49F16X4T; 00C2H (x16)-AT49F16X4T.
  - See details under "Software Product Identification Entry/Exit" on page 14.

## DC Characteristics

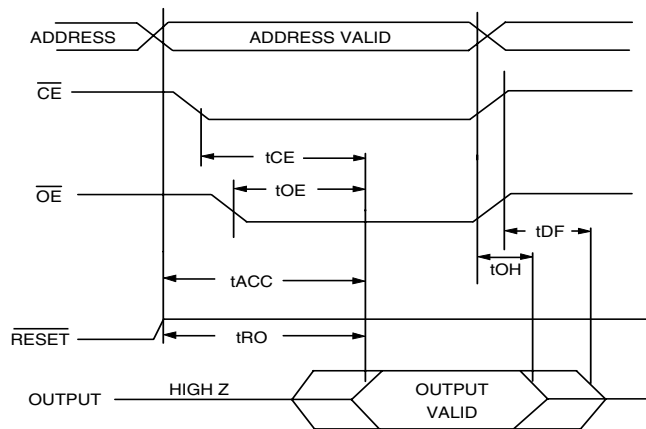
Symbol	Parameter	Condition	Min	Max	Units
I <sub>LI</sub>	Input Load Current	V <sub>IN</sub> = 0V to V <sub>CC</sub>		10	μA
I <sub>LO</sub>	Output Leakage Current	V <sub>I/O</sub> = 0V to V <sub>CC</sub>		10	μA
I <sub>SB1</sub>	V <sub>CC</sub> Standby Current CMOS	$\overline{CE} = V_{CC} - 0.3V$ to V <sub>CC</sub>		3	mA
I <sub>SB2</sub>	V <sub>CC</sub> Standby Current TTL	$\overline{CE} = 2.0V$ to V <sub>CC</sub>		3	mA
I <sub>CC</sub> <sup>(1)</sup>	V <sub>CC</sub> Active Current	f = 5 MHz; I <sub>OUT</sub> = 0 mA		60	mA
I <sub>CCRW</sub>	V <sub>CC</sub> Read While Write Current	f = 5 MHz; I <sub>OUT</sub> = 0 mA		80	mA
V <sub>IL</sub>	Input Low Voltage			0.8	V
V <sub>IH</sub>	Input High Voltage		2.0		V
V <sub>OL</sub>	Output Low Voltage	I <sub>OL</sub> = 2.1 mA		0.45	V
V <sub>OH</sub>	Output High Voltage	I <sub>OH</sub> = -400 μA	2.4		V

- Note: 1. In the erase mode, I<sub>CC</sub> is 70 mA.

## AC Read Characteristics

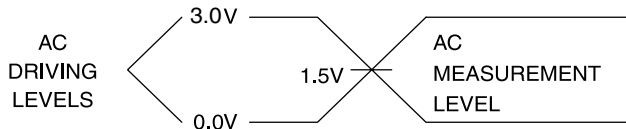
Symbol	Parameter	AT49F16X4(T)-90		Units
		Min	Max	
$t_{ACC}$	Address to Output Delay		90	ns
$t_{CE}^{(1)}$	$\overline{CE}$ to Output Delay		90	ns
$t_{OE}^{(2)}$	$\overline{OE}$ to Output Delay	0	40	ns
$t_{DF}^{(3)(4)}$	$\overline{CE}$ or $\overline{OE}$ to Output Float	0	25	ns
$t_{OH}$	Output Hold from $\overline{OE}$ , $\overline{CE}$ or Address, whichever occurred first	0		ns
$t_{RO}$	$\overline{RESET}$ to Output Delay		800	ns

## AC Read Waveforms<sup>(1)(2)(3)(4)</sup>



- Notes:
- $\overline{CE}$  may be delayed up to  $t_{ACC} - t_{CE}$  after the address transition without impact on  $t_{ACC}$ .
  - $\overline{OE}$  may be delayed up to  $t_{CE} - t_{OE}$  after the falling edge of  $\overline{CE}$  without impact on  $t_{CE}$  or by  $t_{ACC} - t_{OE}$  after an address change without impact on  $t_{ACC}$ .
  - $t_{DF}$  is specified from  $\overline{OE}$  or  $\overline{CE}$ , whichever occurs first (CL = 5 pF).
  - This parameter is characterized and is not 100% tested.

## Input Test Waveforms and Measurement Level



$$t_R, t_F < 5 \text{ ns}$$

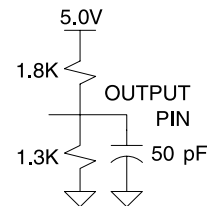
## Pin Capacitance

$$f = 1 \text{ MHz}, T = 25^\circ\text{C}^{(1)}$$

Symbol	Typ	Max	Units	Conditions
$C_{IN}$	4	6	pF	$V_{IN} = 0V$
$C_{OUT}$	8	12	pF	$V_{OUT} = 0V$

- Note: 1. This parameter is characterized and is not 100% tested.

## Output Test Load

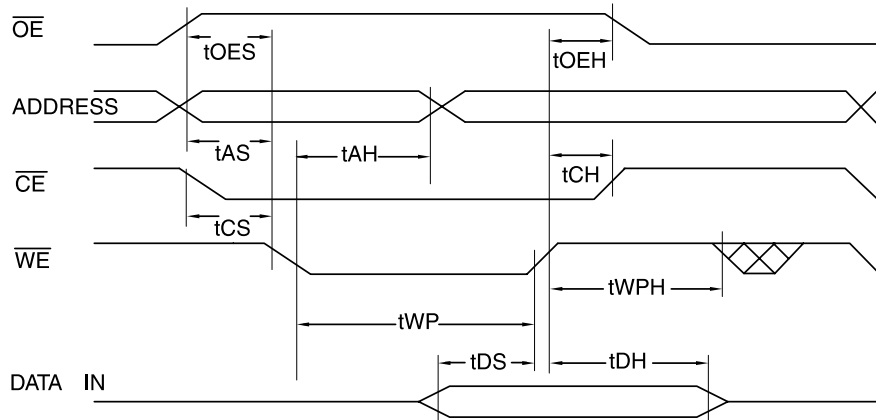


## AC Byte/Word Load Characteristics

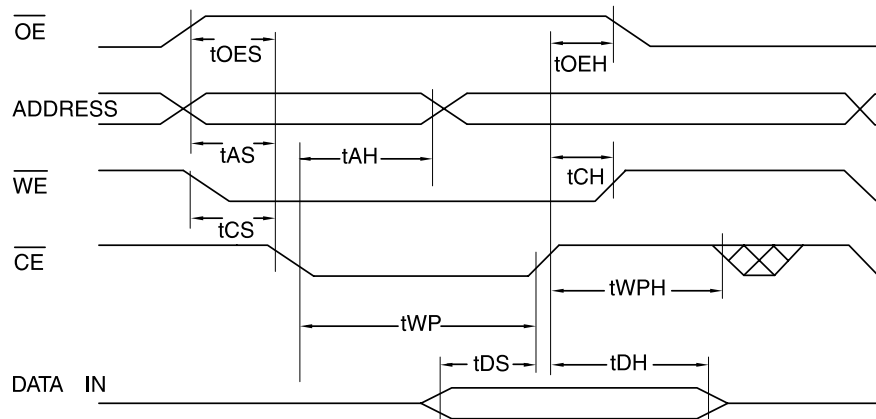
Symbol	Parameter	Min	Max	Units
$t_{AS}, t_{OES}$	Address, $\overline{OE}$ Setup Time	10		ns
$t_{AH}$	Address Hold Time	50		ns
$t_{CS}$	Chip Select Setup Time	0		ns
$t_{CH}$	Chip Select Hold Time	0		ns
$t_{WP}$	Write Pulse Width ( $\overline{WE}$ or $\overline{CE}$ )	100		ns
$t_{DS}$	Data Setup Time	50		ns
$t_{DH}, t_{OEH}$	Data, $\overline{OE}$ Hold Time	10		ns
$t_{WPH}$	Write Pulse Width High	50		ns

## AC Byte/Word Load Waveforms

### $\overline{WE}$ Controlled



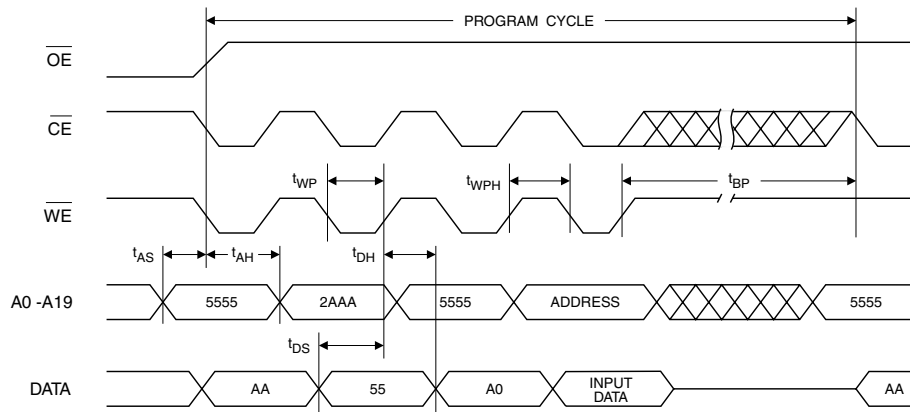
### $\overline{CE}$ Controlled



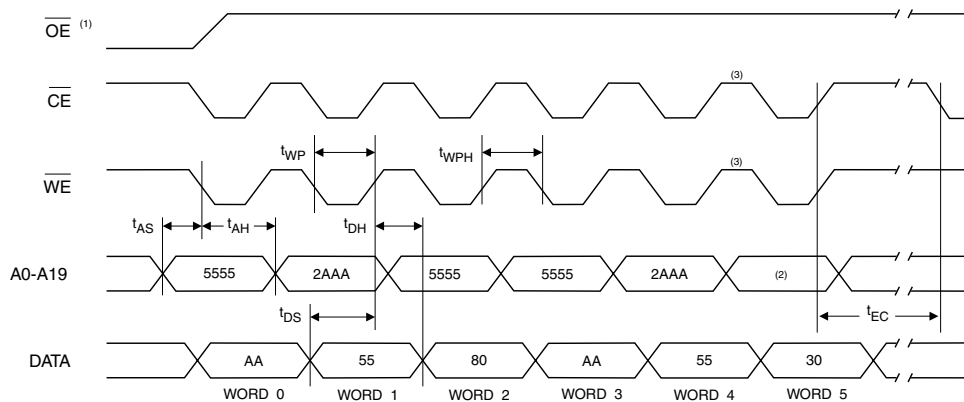
## Program Cycle Characteristics

Symbol	Parameter	Min	Typ	Max	Units
$t_{BP}$	Byte/Word Programming Time		10	50	$\mu$ s
$t_{AS}$	Address Setup Time	0			ns
$t_{AH}$	Address Hold Time	50			ns
$t_{DS}$	Data Setup Time	50			ns
$t_{DH}$	Data Hold Time	10			ns
$t_{WP}$	Write Pulse Width	100			ns
$t_{WPH}$	Write Pulse Width High	50			ns
$t_{SEC}$	Sector Erase Cycle Time		200		ms

## Program Cycle Waveforms



## Sector Erase Cycle Waveforms



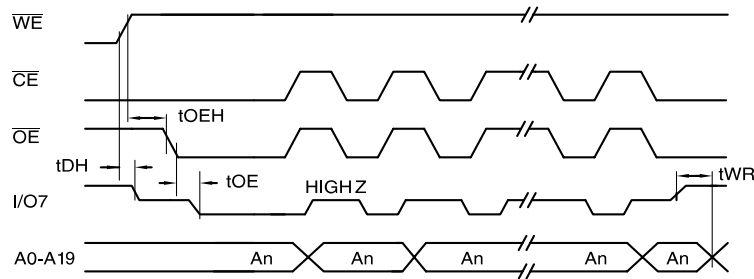
- Notes:
- $\overline{OE}$  must be high only when  $\overline{WE}$  and  $\overline{CE}$  are both low.
  - For sector erase, the address depends on what sector is to be erased. (See note 3 under Command Definitions.)
  - The  $t_{WPH}$  time between the 5th and 6th bus cycle should be a minimum of 150 ns.

## Data Polling Characteristics<sup>(1)</sup>

Symbol	Parameter	Min	Typ	Max	Units
$t_{DH}$	Data Hold Time	10			ns
$t_{OE\bar{H}}$	$\bar{O}\bar{E}$ Hold Time	10			ns
$t_{OE}$	$\bar{O}\bar{E}$ to Output Delay <sup>(2)</sup>				ns
$t_{WR}$	Write Recovery Time	0			ns

Notes: 1. These parameters are characterized and not 100% tested.  
2. See  $t_{OE}$  spec in "AC Read Characteristics" on page 10.

## Data Polling Waveforms

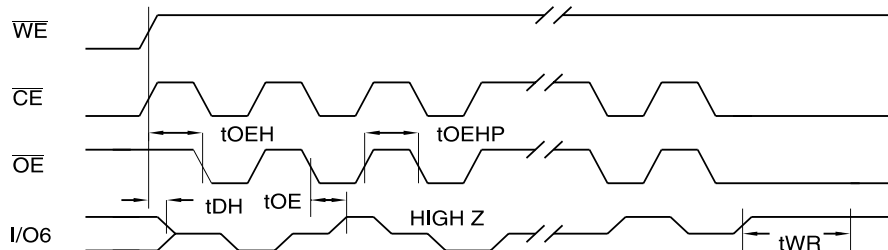


## Toggle Bit Characteristics<sup>(1)</sup>

Symbol	Parameter	Min	Typ	Max	Units
$t_{DH}$	Data Hold Time	10			ns
$t_{OE\bar{H}}$	$\bar{O}\bar{E}$ Hold Time	10			ns
$t_{OE}$	$\bar{O}\bar{E}$ to Output Delay <sup>(2)</sup>				ns
$t_{OEHP}$	$\bar{O}\bar{E}$ High Pulse	150			ns
$t_{WR}$	Write Recovery Time	0			ns

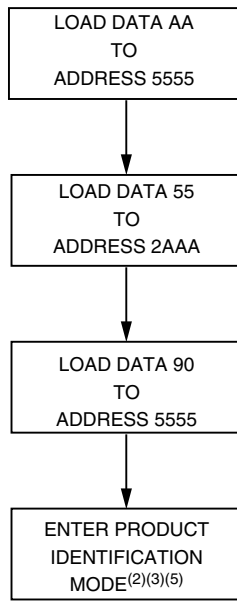
Notes: 1. These parameters are characterized and not 100% tested.  
2. See  $t_{OE}$  spec in "AC Read Characteristics" on page 10.

## Toggle Bit Waveforms<sup>(1)(2)(3)</sup>

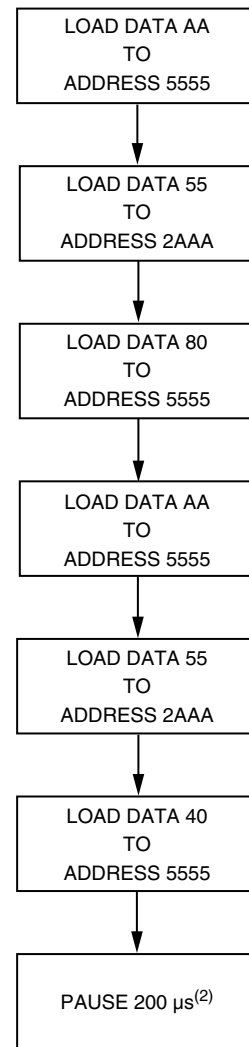


Notes: 1. Toggling either  $\bar{O}\bar{E}$  or  $\bar{C}\bar{E}$  or both  $\bar{O}\bar{E}$  and  $\bar{C}\bar{E}$  will operate toggle bit. The  $t_{OEHP}$  specification must be met by the toggling input(s).  
2. Beginning and ending state of I/O6 will vary.  
3. Any address location may be used but the address should not vary.

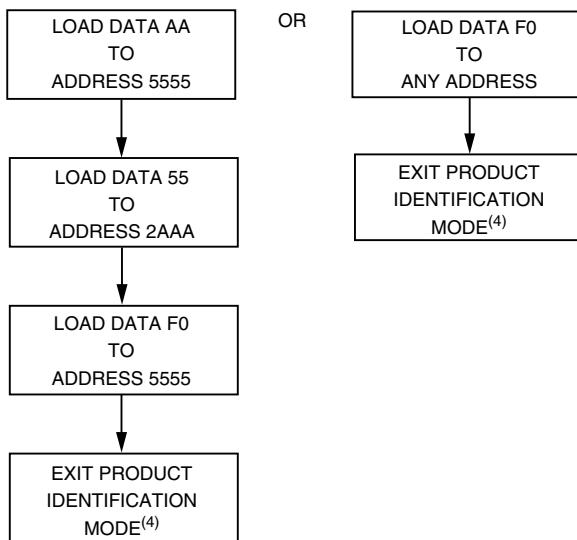
## Software Product Identification Entry<sup>(1)</sup>



## Sector Lockout Enable Algorithm<sup>(1)</sup>



## Software Product Identification Exit<sup>(1)(7)</sup>



- Notes:
1. Data Format: I/O15 - I/O8 (Don't Care); I/O7 - I/O0 (Hex)  
Address Format: A15 - A0 (Hex), A-1, and A15 - A19 (Don't Care).
  2. Sector Lockout feature enabled.

- Notes:
1. Data Format: I/O15 - I/O8 (Don't Care); I/O7 - I/O0 (Hex)  
Address Format: A15 - A0 (Hex), A-1, and A15 - A19 (Don't Care).
  2. A1 - A19 = V<sub>IL</sub>.  
Manufacturer Code is read for A0 = V<sub>IL</sub>;  
Device Code is read for A0 = V<sub>IH</sub>.
  3. The device does not remain in identification mode if powered down.
  4. The device returns to standard operation mode.
  5. Manufacturer Code: 1FH(x8); 001FH(x16)
  6. Device Code: C0H (x8) – AT49F16X4  
00C0H (x16) – AT49F16X4  
C2H (x8) – AT49F16X4T  
00C2H(x16) – AT49F16X4T
  7. Either one of the Product ID Exit commands can be used.

## Status Bit Table

	Status Bit					
	I/O7		I/O6		I/O2	
	Plane A	Plane B	Plane A	Plane B	Plane A	Plane B
Read Address In						
While						
Programming in Plane A	$\overline{I/O7}$	DATA	TOGGLE	DATA	1	DATA
Programming in Plane B	DATA	$\overline{I/O7}$	DATA	TOGGLE	DATA	1
Erasing in Plane A	0	DATA	TOGGLE	DATA	TOGGLE	DATA
Erasing in Plane B	DATA	0	DATA	TOGGLE	DATA	TOGGLE
Erase Suspended & Read Erasing Sector	1	1	1	1	TOGGLE	TOGGLE
Erase Suspended & Read Non-erasing Sector	DATA	DATA	DATA	DATA	DATA	DATA
Erase Suspended & Program Erasing Sector	1	1	1	1	TOGGLE	TOGGLE
Erase Suspended & Program Non-erasing Sector in Plane A	$\overline{I/O7}$	DATA	TOGGLE	DATA	TOGGLE	DATA
Erase Suspended & Program Non-erasing Sector in Plane B	DATA	$\overline{I/O7}$	DATA	TOGGLE	DATA	TOGGLE



## AT49F1604(T)/1614(T) Ordering Information

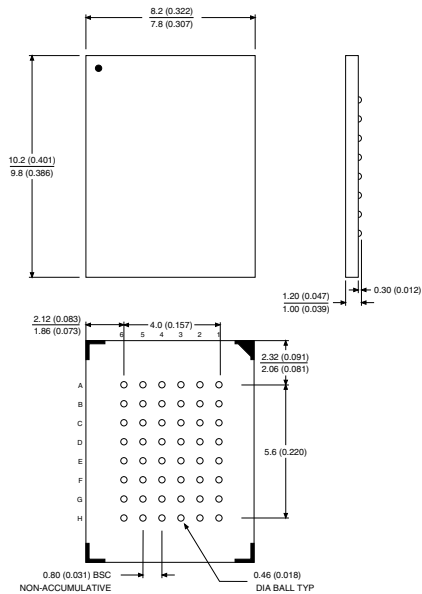
$t_{ACC}$ (ns)	$I_{CC}$ (mA)		Ordering Code	Package	Operation Range
	Active	Standby			
90	60	3.0	AT49F1614-90TI	48T	Industrial (-40°C to 85°C)

Package Type	
<b>48C2</b>	48-ball, Plastic Chip-size Ball Grid Array Package (CBGA)
<b>48T</b>	48-lead, Thin Small Outline Package (TSOP)
<b>48U</b>	48-ball, Micro Ball Grid Array Package ( $\mu$ BGA)



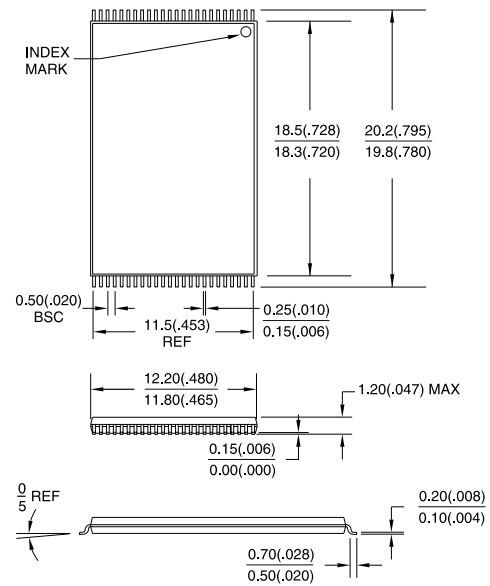
## Packaging Information

**48C2**, 48-ball, Plastic Chip-size Ball Grid Array Package (CBGA)  
Dimensions in Millimeters and (Inches)\*



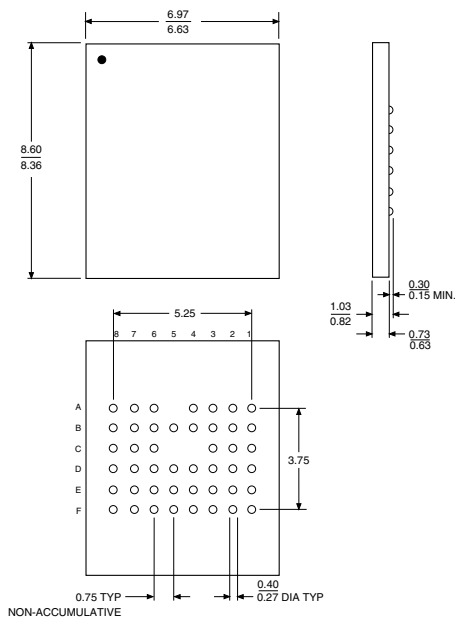
\*Controlling dimension: millimeters

**48T**, 48-lead, Plastic Thin Small Outline Package (TSOP) Dimensions in Millimeters and (Inches)\*  
JEDEC OUTLINE MO-142 DD



\*Controlling dimension: millimeters

**48U**, 48-ball, Micro Ball Grid Array Package ( $\mu$ BGA)  
Dimensions in Millimeters





## Atmel Headquarters

*Corporate Headquarters*  
2325 Orchard Parkway  
San Jose, CA 95131  
TEL (408) 441-0311  
FAX (408) 487-2600

### *Europe*

Atmel U.K., Ltd.  
Coliseum Business Centre  
Riverside Way  
Camberley, Surrey GU15 3YL  
England  
TEL (44) 1276-686-677  
FAX (44) 1276-686-697

### *Asia*

Atmel Asia, Ltd.  
Room 1219  
Chinachem Golden Plaza  
77 Mody Road Tsimhatsui  
East Kowloon  
Hong Kong  
TEL (852) 2721-9778  
FAX (852) 2722-1369

### *Japan*

Atmel Japan K.K.  
9F, Tonetsu Shinkawa Bldg.  
1-24-8 Shinkawa  
Chuo-ku, Tokyo 104-0033  
Japan  
TEL (81) 3-3523-3551  
FAX (81) 3-3523-7581

## Atmel Operations

*Atmel Colorado Springs*  
1150 E. Cheyenne Mtn. Blvd.  
Colorado Springs, CO 80906  
TEL (719) 576-3300  
FAX (719) 540-1759

### *Atmel Rousset*

Zone Industrielle  
13106 Rousset Cedex  
France  
TEL (33) 4-4253-6000  
FAX (33) 4-4253-6001

---

### *Fax-on-Demand*

North America:  
1-(800) 292-8635  
International:  
1-(408) 441-0732

### *e-mail*

literature@atmel.com

### *Web Site*

<http://www.atmel.com>

### *BBS*

1-(408) 436-4309

#### © Atmel Corporation 2000.

Atmel Corporation makes no warranty for the use of its products, other than those expressly contained in the Company's standard warranty which is detailed in Atmel's Terms and Conditions located on the Company's web site. The Company assumes no responsibility for any errors which may appear in this document, reserves the right to change devices or specifications detailed herein at any time without notice, and does not make any commitment to update the information contained herein. No licenses to patents or other intellectual property of Atmel are granted by the Company in connection with the sale of Atmel products, expressly or by implication. Atmel's products are not authorized for use as critical components in life support devices or systems.

Marks bearing ® and/or ™ are registered trademarks and trademarks of Atmel Corporation.

Terms and product names in this document may be trademarks of others.



Printed on recycled paper.

0977J-04/00/xM